

EZGas Pro

Conversion Burner



**Converts
Oil-Fired
Appliances to
Natural Gas
or Propane**

- Fires From 50,000 to 275,000 BTUH
- Ideal for
 - Boilers - Pin-Style, Steel, Three-Pass
 - Warm Air Furnaces
 - Direct-Fired Water Heaters
- Faster, Easier and More Cost Effective than Replacing the Heating Appliance
- UL Listed

Carlin™
Combustion Technology, Inc.



The Carlin EZGas Pro burner was designed to convert oil-fired appliances to natural gas or propane. When the existing oil appliance is in good operating condition, the EZGas Pro burner is fast and easy to install and provides a significantly less expensive alternative to replacing the heating appliance. With an input range of 50,000 to 275,000 BTUH, the EZGas Pro is ideal for virtually any residential conversion. The EZGas Pro fires refractory or non-refractory chambers and accommodates chimney vent, direct vent, or power vent applications. The 3 1/2" diameter air tube fits any heating appliance including furnaces, direct-fired water heaters and pin-style, steel, and three-pass boilers. The EZGas Pro burner is a UL Listed conversion burner meeting the code requirements for gas conversions in most areas.

- High efficiency, compact flame pattern ensures clean, quiet operation
- Easy color-coded wiring
- Durable spark ignition with flame rod rectification
- Operates in low and fluctuating gas pressures
- Mixes fuel inside the combustion chamber for safe reliable operation.
- Advanced 60200FR Primary Control System
 - LED Indicators
 - Serviceman Reset Protection
 - Flame Signal Test Port
 - Alarm Contacts

Burner Configurations

Appliance Specific Burners

Carlin offers a wide range of burners factory-configured for specific oil-fired appliances. For fast, easy installation, these burners feature a welded mounting flange, mounted diffuser plate and air band, and a pre-drilled orifice.

Consult factory or carlincombustion.com for model availability.

Multi-Fit Burners

Carlin offers nine burners with combinations of air tube length and diffuser plates that are common to many heating appliances. These burners feature an adjustable flange and field drilled orifice for field set-up on a variety of heating appliances. Consult Carlin's Burner Set-Up Tables Guide for tube length, diffuser plate and air bands specified for various heating appliances.

9859210BFR1	EZGas Pro with 10" Air Tube, "B" Diffuser, 1-Slot Air Band
9859210AFR1A	EZGas Pro with 10" Air Tube, "A" Diffuser, 2-Slot Air Band
9859210SFR1	EZGas Pro with 10" Air Tube, 9-Slot Diffuser, Both Air Bands
9859212BFR1	EZGas Pro with 12" Air Tube, "B" Diffuser, 1-Slot Air Band
9859212AFR1	EZGas Pro with 12" Air Tube, "A" Diffuser, 2-Slot Air Band
9859212SFR1	EZGas Pro with 12" Air Tube, 9-Slot Diffuser, Both Air Bands
9859214BFR1	EZGas Pro with 14" Air Tube, "B" Diffuser, 1-Slot Air Band
9859214AFR1	EZGas Pro with 14" Air Tube, "A" Diffuser, 2-Slot Air Band
9859214SFR3	EZGas Pro with 14" Air Tube, 9-Slot Diffuser, Both Air Bands

Note: Consult factory for 16" and 18" air tube options.

Universal (Full BTU Range) Burners

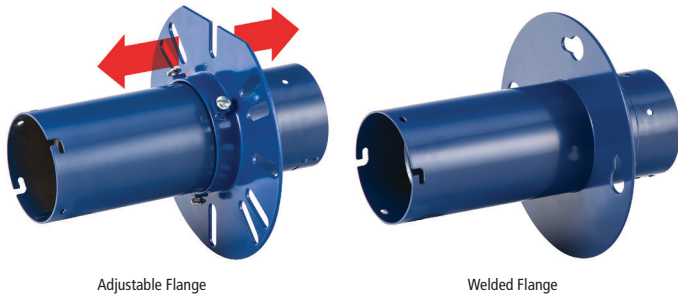
Carlin Universal Burners are available in two models – one for boilers and one for furnaces and water heaters. Both include an adjustable mounting flange, all three diffuser plates, both air bands, and a field-drilled orifice. The only difference between the two is the air tube length. The boiler model is equipped with a 10" tube, more than adequate for the insertion depth on most boilers. The water heater and furnace model has a 14" tube better suited for deeper insertion depths. These universal burners can be configured in the field to accommodate a wide variety of heating appliances. Carlin's Tech Support Team is ready to provide suitability and application assistance.

9859210FRU	Universal EZGas Pro with 10" Air Tube for Boilers
9859214FRU	Universal EZGas Pro with 14" Air Tube for Water Heater & Warm Air Furnaces

IMPORTANT

The Carlin EZGas Pro burner should be installed or serviced only by licensed and trained professionals. Contact Carlin for training opportunities in your area.

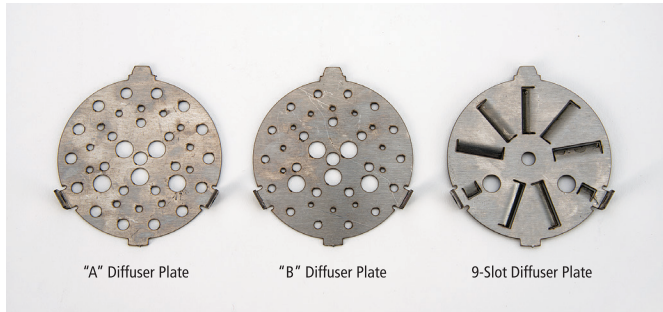
Mounting Flanges: Available with an adjustable flange for field adaptation to a variety of heating appliances or a factory set welded flange designed for a specific heating appliance.



Air Tubes: Available in 10", 12", 14", 16" and 18" to accommodate heating appliances with varied insertion depths.

Diffuser Plates: Three diffusers are available to accommodate various BTU input ranges:

- "A" Diffuser Plate: 175,000 - 275,000 BTUH
- "B" Diffuser Plate: 50,000 - 175,000 BTUH
- 9-Slot Diffuser Plate: 70,000 - 230,000 BTUH



Air Bands: Two air bands are available to accommodate various BTU input ranges:

- 1-Slot: 50,000 - 175,000 BTUH
- 2-Slot: 175,000 - 275,000 BTUH



Orifice: Appliance Specific Burners include a factory-drilled orifice ready for installation. Multi-Fit and Universal Burners include a Field-Drilled orifice. This orifice must be drilled in the field to suit the firing rate of the appliance.



EZGas Pro Full Firing Rate Kit

50808KITS Full Firing Rate Kit

This kit is designed to change the firing rate of any EZGas Pro burner to accommodate the heating appliance. The kit includes:

- (1) A Diffuser Plate
- (1) B Diffuser Plate
- (1) 9-Slot Diffuser Plate
- (1) 1-Slot Air Band
- (1) 2-Slot Air Band
- (1) Field Drilled Orifice

Retrofit Cover Kit

For field installation on Carlin EZGas Pro.

- **Looks Great**
- **Low Cost**
- **Easy to Install**



Burner Cover Kit

RESCVR55

Cover Kit for EZGas Pro

Includes cover, backplate, mounting hardware, gas valve harness, 8" field drilled orifice nipple

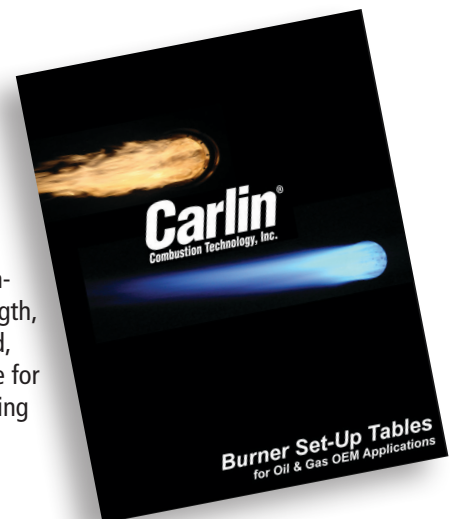
Outside Air/Direct Vent Kit

50433KIT

OA/DV Kit for use on RESCVR55

Includes filler section for backplate with mounting bolts, 4" air inlet with mounting screws, insert for oil line opening, 1 5/8" grommet for BX cable, push plugs

Carlin's Burner Set-Up Tables (Part No. MN97923) provides information on tube length, diffuser plate, air band, and orifice drilling size for a wide variety of heating appliances.



Gas Service Kit Tote

All you'll need to service Carlin gas burners in one kit

GPROTOTES

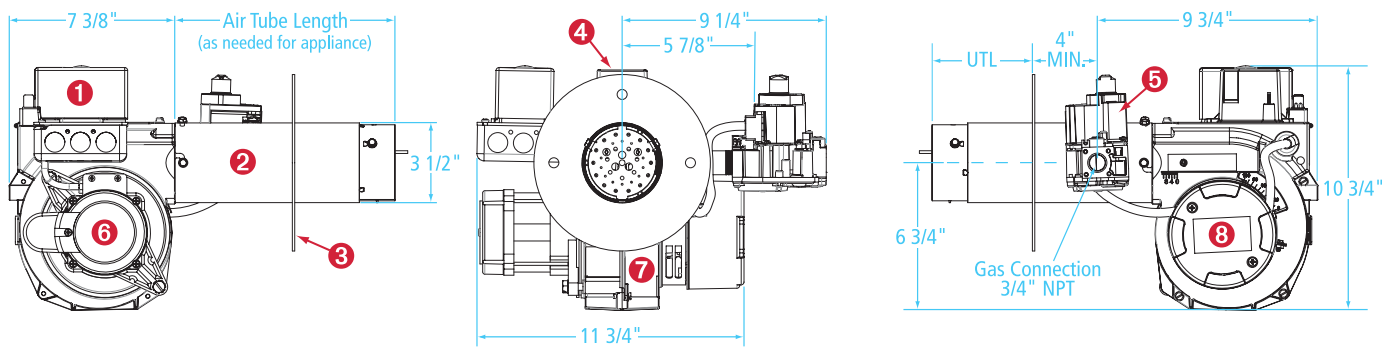
Service Kit Tote for EZGas Pro

Includes

- EZGas Pro Instruction Manual
- 14" Flame Rod Wire
- 60200FR Control
- 10" Spark Electrode
- 12" Spark Electrode
- 14" Spark Electrode
- Flame Signal Test Jack
- Ignitor Spark Tester
- 1-slot Air Band
- 2-slot Air Band
- Ignitor
- 10" Flame Rod
- 12" Flame Rod
- 14" Flame Rod
- Air Flow Switch
- Gas Valve
- Orifice Nipple
- "A" Diffuser Plate
- "B" Diffuser Plate
- 9-slot Diffuser Plate
- 24V Transformer



EZGas Pro Dimensions



- 1 Carlin 60200FR microprocessor control
- 2 Air tube
- 3 Flange (selected to meet appliance requirements)
- 4 Carlin 41800 solid state ignitor
- 5 Combination gas valve
- 6 Carlin PSC motor
- 7 Cast aluminum blower housing
- 8 Air flow proving switch

EZGas Pro Specifications

Input 50,000 to 275,000 BTUH

Fuels Natural gas or propane gas

- Maximum supply pressure..... 14 inches w.c.
- Minimum supply pressure 5.0 inches w.c.
- Manifold pressure 3.5 inches w.c.

Electrical

- Power..... 120 VAC/60 Hz/1-phase
- Limit circuit input..... 120 VAC/60 Hz
- Motor..... 1/15 HP, 3450 RPM
- Current..... Approximately 2.0 Amps
- Fuel valve power..... 24 VAC

Ignition

- Carlin Model 41800 solid state electronic ignitor
- Ignition voltage..... 9,000 Volts

Control

Carlin Model 60200FR microprocessor control

- 6-sec. Trial for ignition (TFI)
- 1.3-sec. FFRT
- Pre-purge and post-purge
- Serviceman reset protection (Latch-up after three consecutive lockouts)
- Interrupted duty ignition
- Recycle on flame failure

Agencies

- UL Listed (United States) per ANSI Z21.17
- MEA approval..... #137-05-E



126 Bailey Road, North Haven, CT 06473 • 800-989-2275
www.carlincombustion.com